

• Nuclear medicine • Gamma point sources •

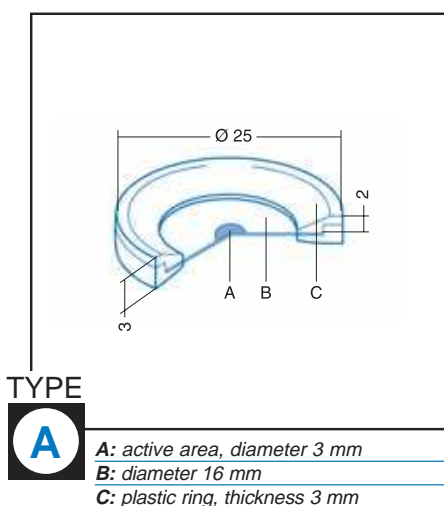
Gamma point sources (active diameter 3 mm) are particularly robust and characterized in activity (kBq). They are used for checking gamma camera orientation.

• Technique

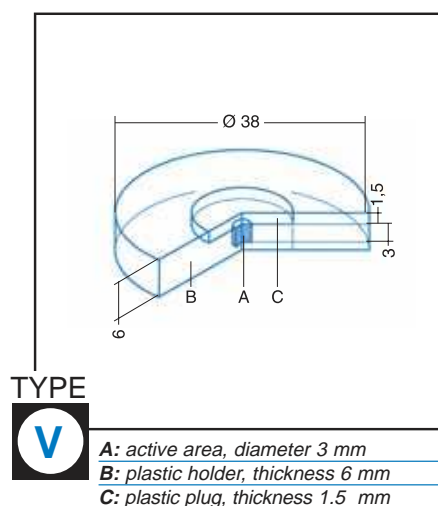
The radionuclide is either deposited in the cavity of a plastic holder sealed with a plastic plug (type V) or hot-sealed between two plastic foils mounted in a plastic ring (type A).

CERCA LEA proposes these sources with a choice of two radionuclides: barium-133 and cobalt-57 (depends on the model).

• Available holders



Non-biding color



Radionuclide	Radiation energy (MeV)	Product code	Activity / Approximate activity	Holder Diameter mm	Type	Measurement uncertainty %
Half-life	γ		kBq μCi			
¹³³Ba						
$1,05 \times 10^1$ years	0,276	BA133EGSA25	7×10^2	25	A	5
	0,302	BA133EGSV25	7×10^2	38	V	5
⁵⁷Co						
$2,72 \times 10^2$ days		CO57EGSV25	7×10^2	38	V	5
		CO57EGSV40	$3,7 \times 10^3$	38	V	5